

CODEC / AUDIO

SHEET 2

INTERFACES

TRANSMITTER

RECEIVER

SYNTH

PSU

- 1=SYSTEM
- 2=CODEC
- 3=TX
- 4=RX
- 5=SYNTH
- 6=PSU
- 7=INTERFACES

© TAIT ELECTRONICS		A1
TM8000 66-88MHZ SYSTEM		
IPN: 220-02074-03	ISSUE: A	VARIANT NUMBER: ?
FILE DATE: Fri Oct 14 11:15:39 2005		
ENGINEER: TM8000	FILE NAME: 220_02074	SHEET NUMBER: 1 OF 7

03A					
02A	NB, FCL, AND MICA CAP. DCO 2074021, 2	CRAIG M			14/10/05
01A	FROM 226-00150-04, DCO 150051, 2 AND 3	CRAIG M			18/10/04
REV/ISS	AMENDMENTS	DRAWN	CHKD	D.O.	APVD



SK100 SKT R-ANG DRANGE CONTROL HEAD

SK101 SKT R-ANG DRANGE AUXILIARY

SK102 2X8 WAY TOP ENTRY SMD SKT INTERNAL OPTIONS

USE FOR SHORTING LINKS

SPARE1

SPARE2

SPARE3

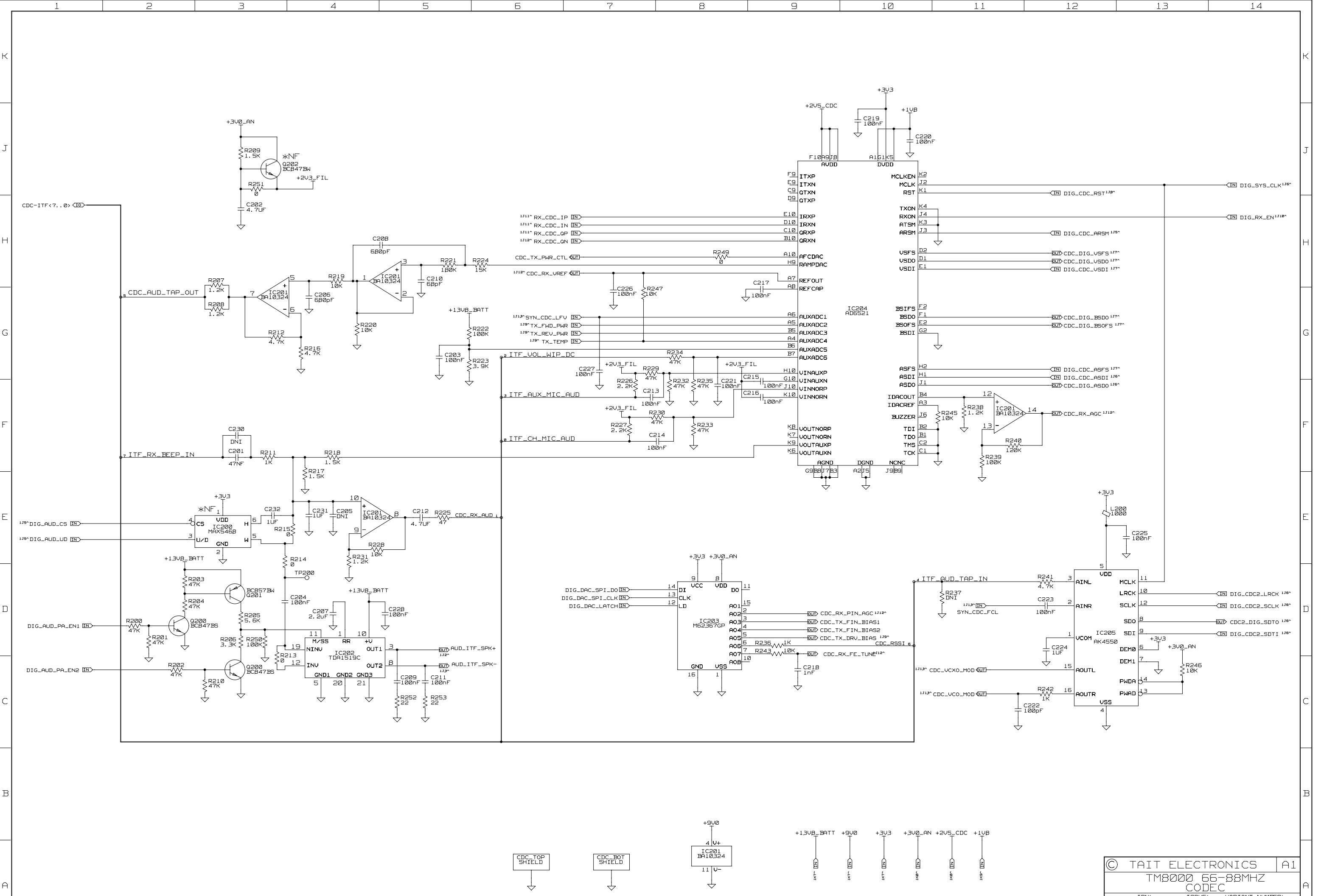
- +13VB_BATT
- +3V3
- RX_AUD
- CH_TXD
- CH_PTT
- CH_MIC_AUD
- CH_RXD
- CH_ON_OFF
- VOL_WIP_DC
- CH_SPI_DO
- CH_LE
- CH_GPI01
- CH_SPI_D1
- CH_SPI_CLK
- SPK-
- SPK+
- AGND
- DGND
- AUX_GPI1
- AUX_GPI2
- AUX_GPI3
- AUX_GPI04
- AUX_GPI05
- AUX_GPI06
- AUX_GPI07
- AUX_RXD
- AUX_TXD
- +13VB_SW
- AUD_TAP_OUT
- AUD_TAP_IN
- AUX_MIC_AUD
- RSSI
- GND
- +13VB_SW
- AUD_TAP_OUT
- AUX_MIC_AUD
- RX_BEEP_IN
- AUD_TAP_IN
- RSSI
- IOP_GPI01
- IOP_GPI02
- IOP_GPI03
- IOP_GPI04
- IOP_GPI05
- IOP_GPI06
- IOP_GPI07
- IOP_RXD
- IOP_TXD
- AGND
- DGND

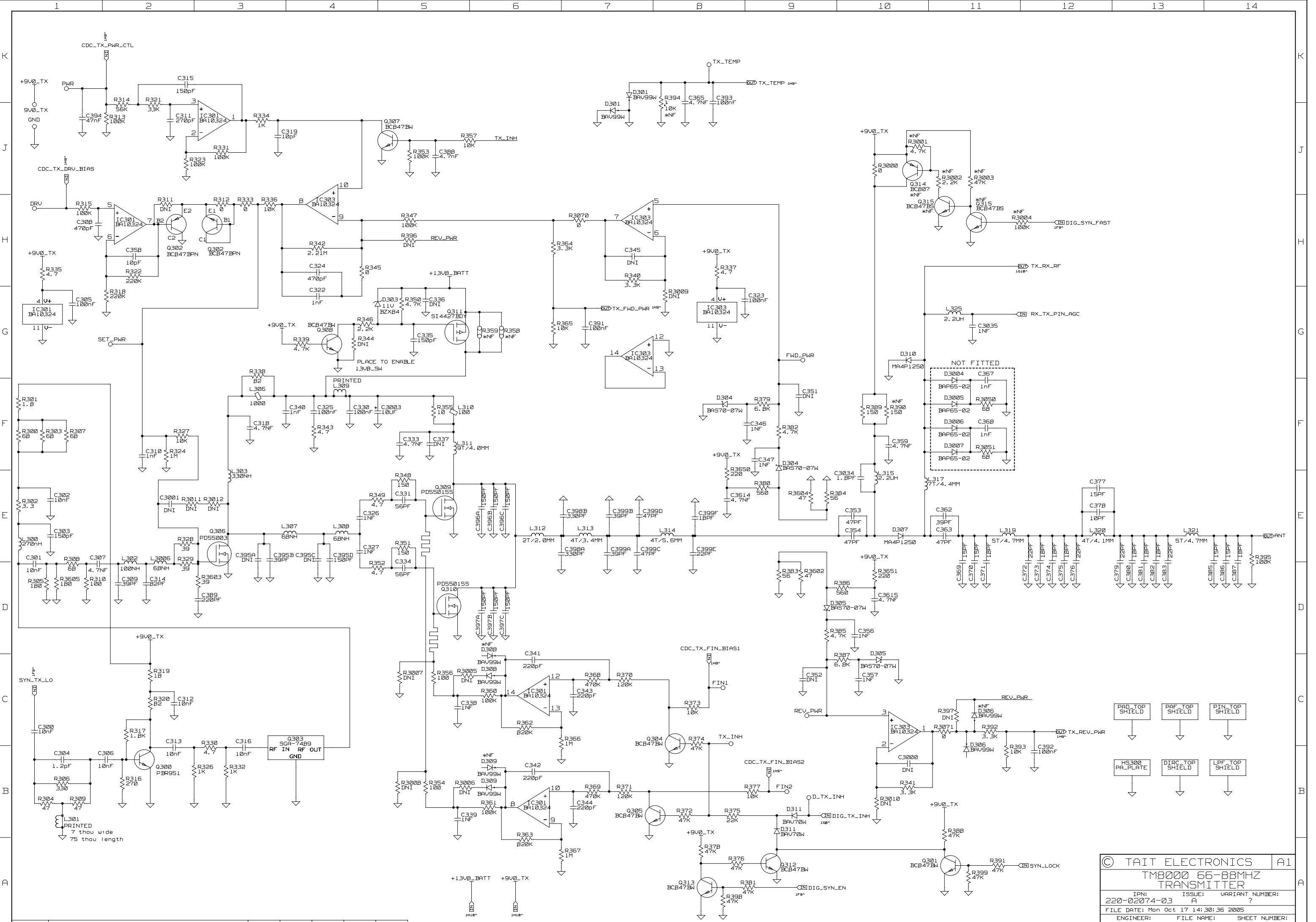
- ITF_CH_MIC_AUD
- CDC_RX_AUD
- ITF_VOL_WIP_DC
- ITF_AUX_MIC_AUD
- ITF_AUD_TAP_IN
- CDC_AUD_TAP_OUT
- CDC_RSSI
- ITF_RX_BEEP_IN
- DIG_CH_SPI_CLK
- DIG_CH_SPI_DO
- ITF_CH_SPI_DI
- DIG_CH_LE
- ITF_CH_RXD
- DIG_CH_TXD
- ITF_CH_PTT
- ITF_CH_HOOK
- DIG_CH_GP01
- ITF_CH_GP11
- ITF_AUX_RXD
- DIG_AUX_TXD
- ITF_AUX_GPI1
- ITF_AUX_GPI2
- ITF_AUX_GPI3
- ITF_AUX_GPI4
- ITF_AUX_GPI5
- ITF_AUX_GPI6
- ITF_AUX_GPI7
- DIG_AUX_GP04
- DIG_AUX_GP05
- DIG_AUX_GP06
- DIG_AUX_GP07
- ITF_IOP_GPI01
- ITF_IOP_GPI02
- ITF_IOP_GPI03
- ITF_IOP_GPI04
- ITF_IOP_GPI05
- ITF_IOP_GPI06
- ITF_IOP_GPI07
- ITF_IOP_RXD
- DIG_IOP_TXD
- NC1
- NC2
- NC3
- NC4
- NC5
- NC6
- JTAG_FPGA_TCK
- JTAG_FPGA_TDI
- FPGA_JTAG_TDO
- JTAG_FPGA_TMS
- JTAG_DSP_TCK
- JTAG_DSP_TMS
- JTAG_DSP_TDI
- DSP_JTAG_TDO
- JTAG_DSP_TRST
- DSP_JTAG_EMU0
- DSP_JTAG_EMU1
- DGND
- DIG_TX_ENH
- DIG_TX_INH
- DIG_TX_LO
- DIG_TX_EN
- DIG_SLP_EN
- PSU_SYS_RST
- DIG_PSU_LATCH
- DIG_CDC_RST
- DIG_ND_KICK
- ITF_ON_OFF
- ITF_PSU_ON_OFF
- IOP_GPI07
- AUX_GPI2
- AUX_GPI3

MCM1 XMABP xx

DIG_TCAN SHIELD

DIG_BCAN SHIELD

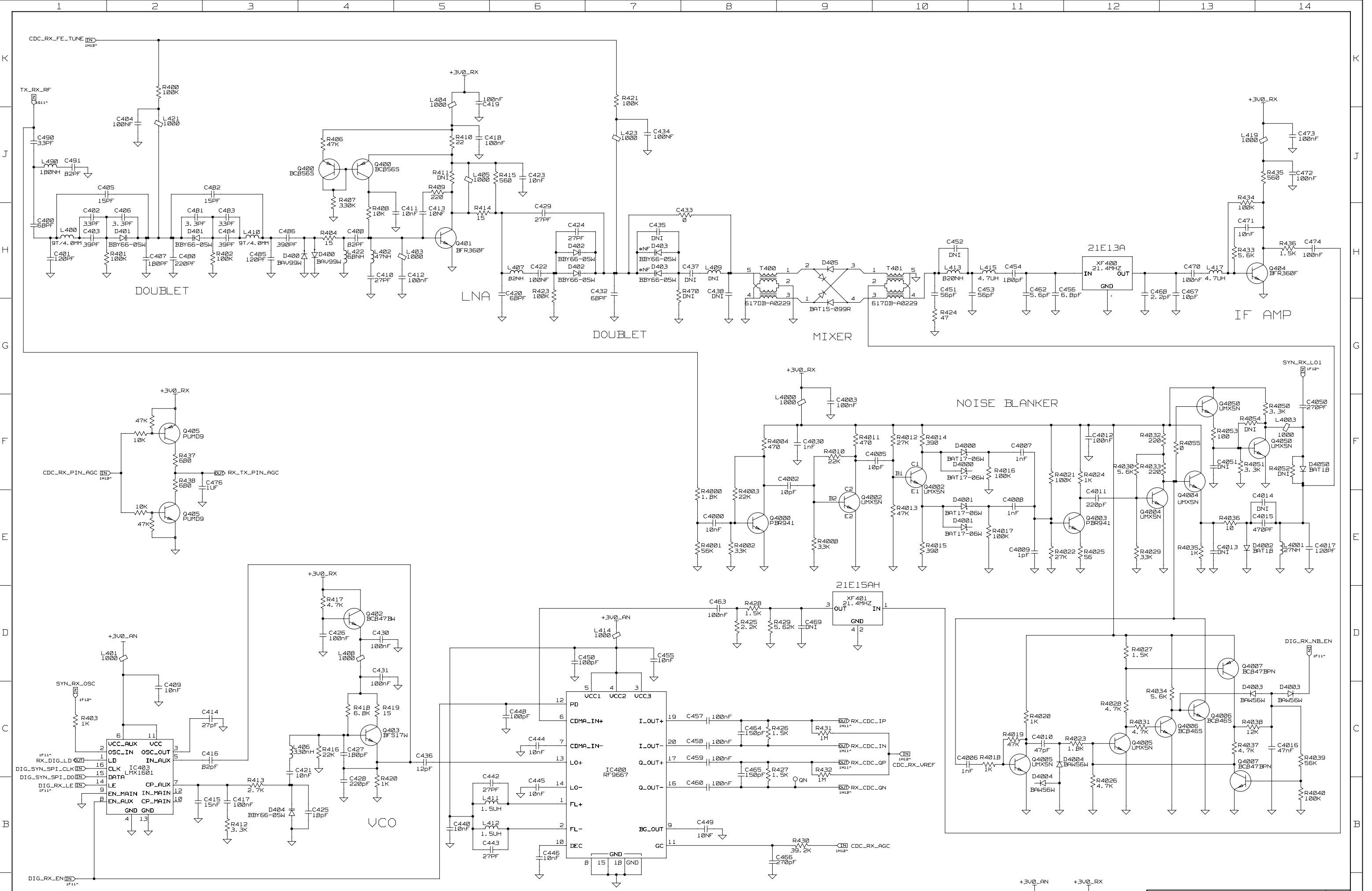




REV/ISS	AMENDMENTS	DRAWN	CHKD	D. O.	APVD	DATE
1						
2						
3						
4						
5						
6						
7						
8						
9						
10						
11						
12						
13						
14						

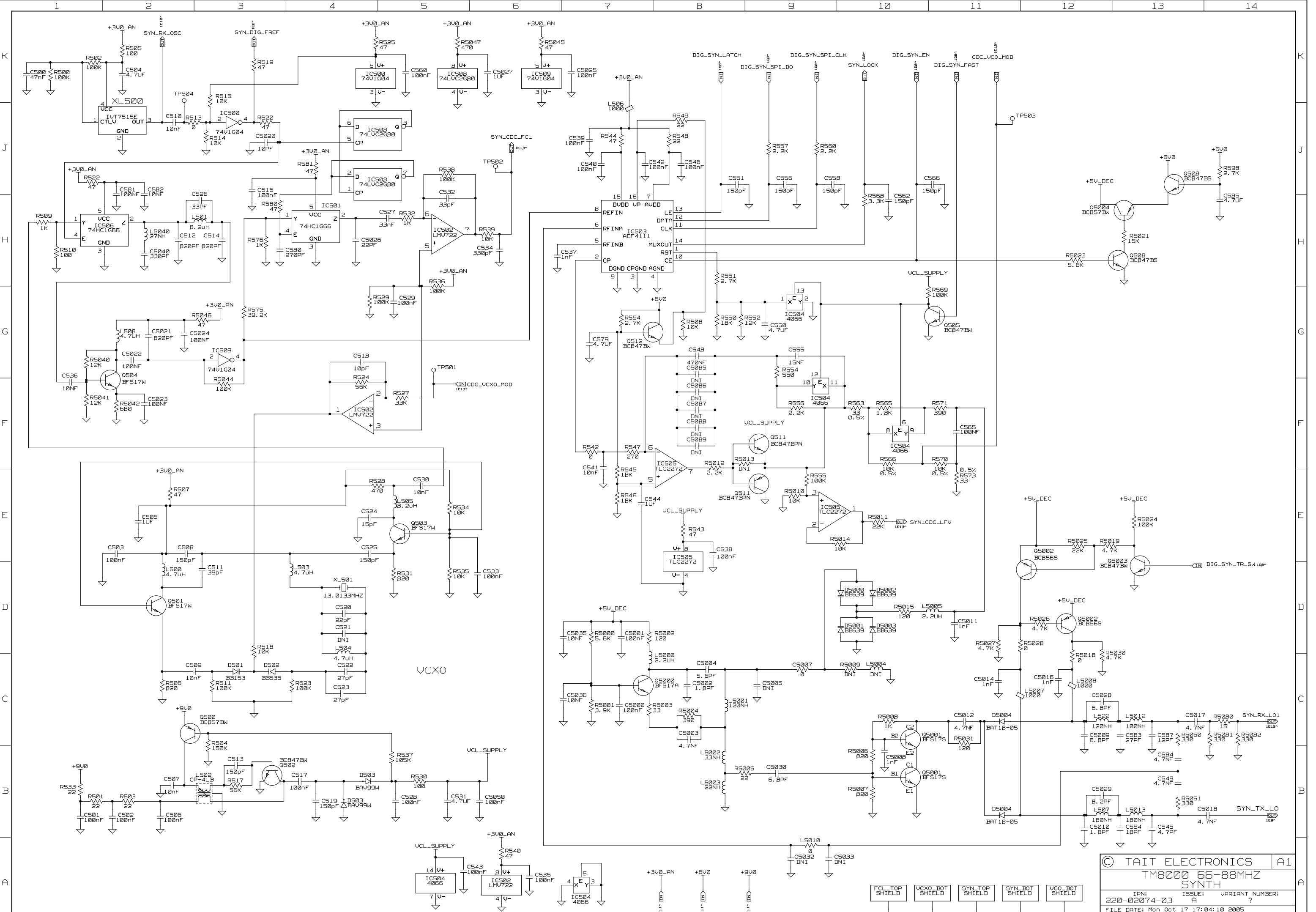
© TAIT ELECTRONICS		A1
TM8000 66-88MHZ TRANSMITTER		
IPN: 220-02074-03	ISSUE: A	VARIANT NUMBER: ?
FILE DATE: Mon Oct 17 14:30:36 2005		
ENGINEER: TM8000	FILE NAME: 220_02074	SHEET NUMBER: 3 OF 7

- PAD_TOP SHIELD
- PAF_TOP SHIELD
- PIN_TOP SHIELD
- HS300 PA_PLATE
- DIRC_TOP SHIELD
- LPF_TOP SHIELD



© TAIT ELECTRONICS			A1
TM8000 66-88MHz RECEIVER			
IPN: 220-02074-03	ISSUE: A	VARIANT NUMBER: ?	
FILE DATE: Mon Oct 17 14:25:18 2005			
ENGINEER: TM8000	FILE NAME: 220_02074	SHEET NUMBER: 4 OF 7	

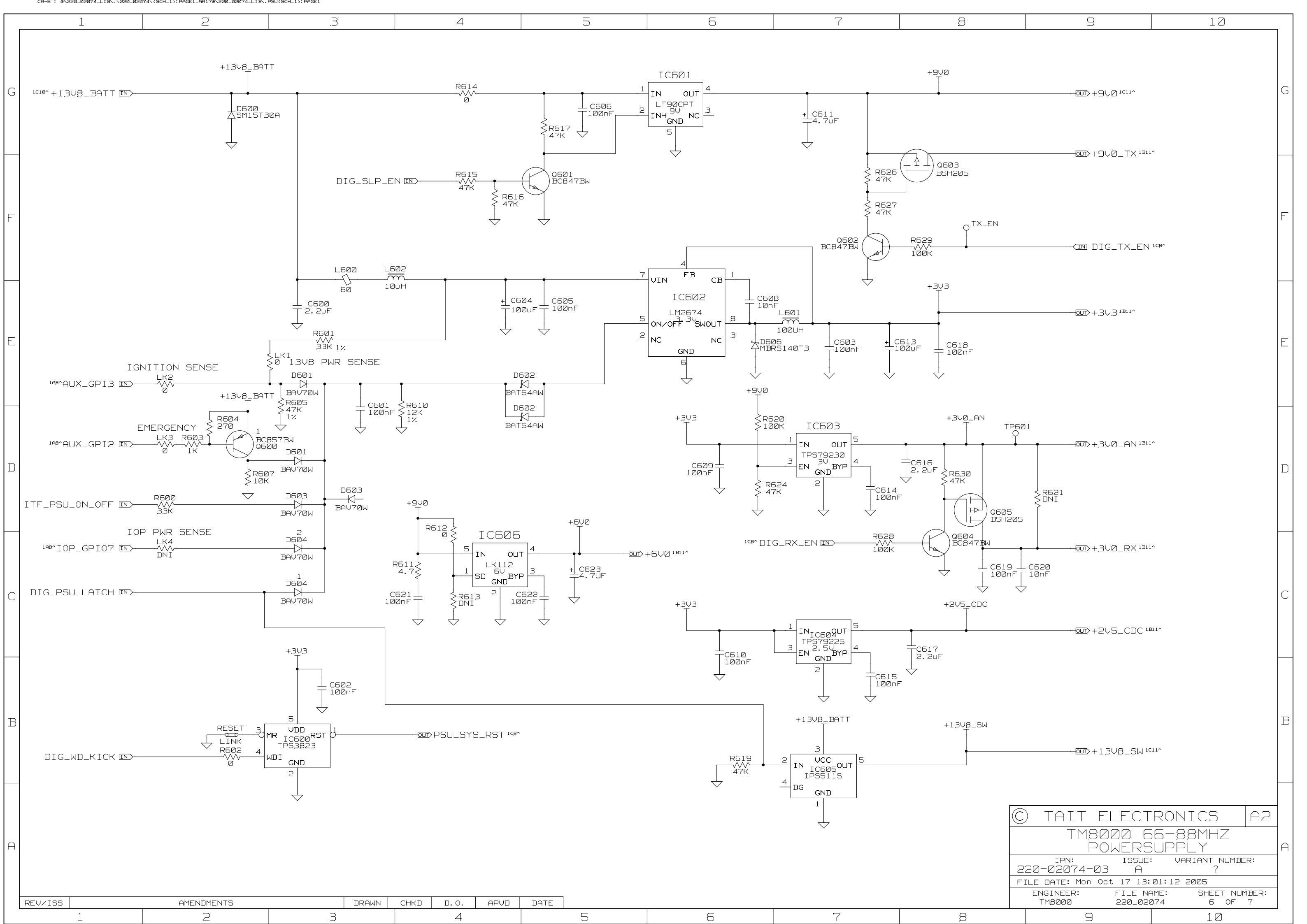
REV/ISS	AMENDMENTS	DRAWN	CHKD	D.O.	APVD	DATE
1						
2						
3						
4						
5						
6						
7						
8						
9						
10						
11						
12						
13						
14						



© TAIT ELECTRONICS		A1
TM8000 66-88MHZ SYNTH		
IPN: 220-02074-03	ISSUE: A	VARIANT NUMBER: ?
FILE DATE: Mon Oct 17 17:04:10 2005	ENGINEER: TM8000	FILE NAME: 220_02074
		SHEET NUMBER: 5 OF 7

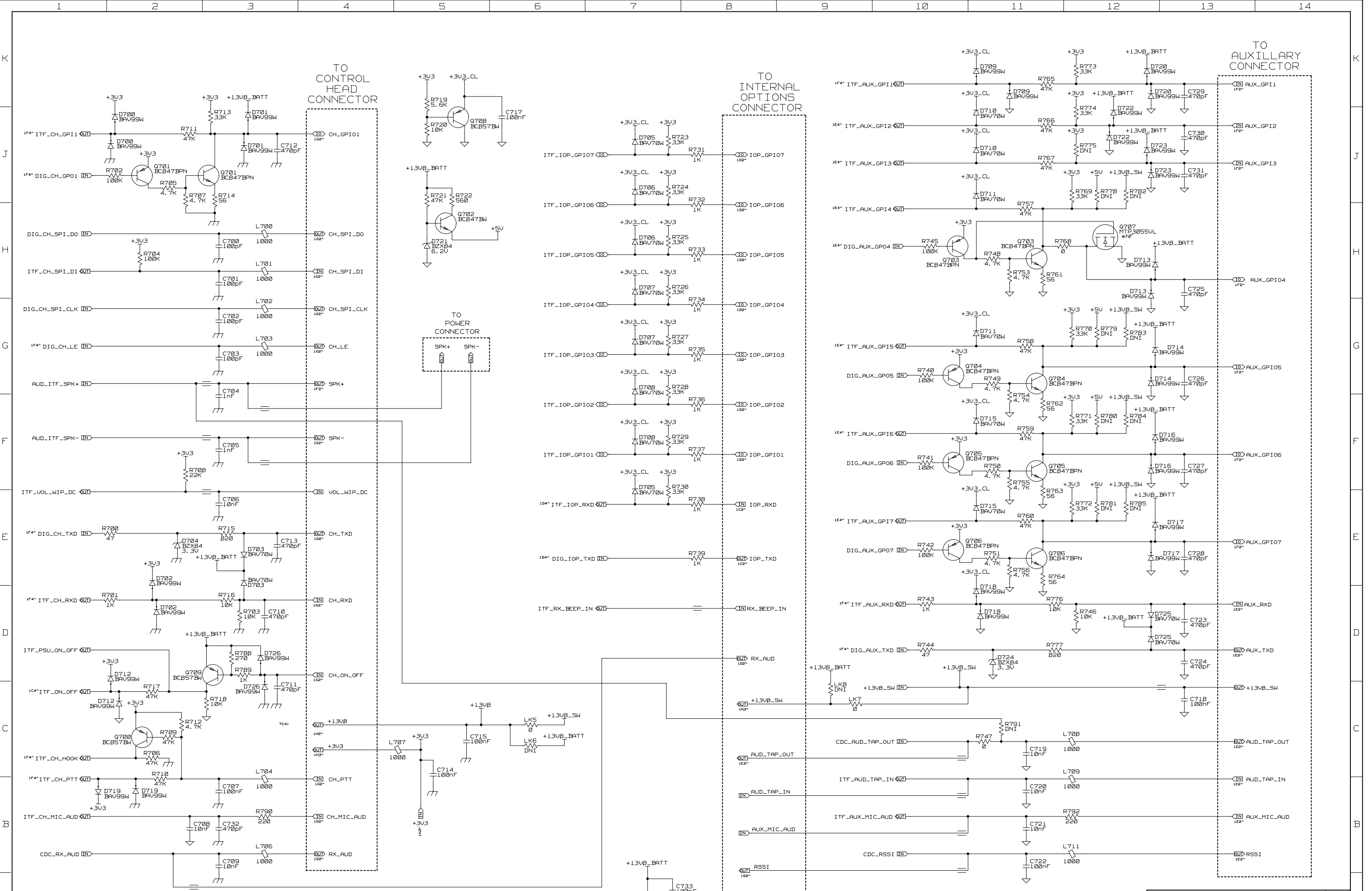
REV./ISS	AMENDMENTS	DRAWN	CHKD	D. O.	APVD	DATE
1						
2						
3						
4						
5						
6						
7						
8						
9						
10						
11						
12						
13						
14						

FCL_TOP SHIELD
 UCXO_BOT SHIELD
 SYN_TOP SHIELD
 SYN_BOT SHIELD
 UCO_BOT SHIELD



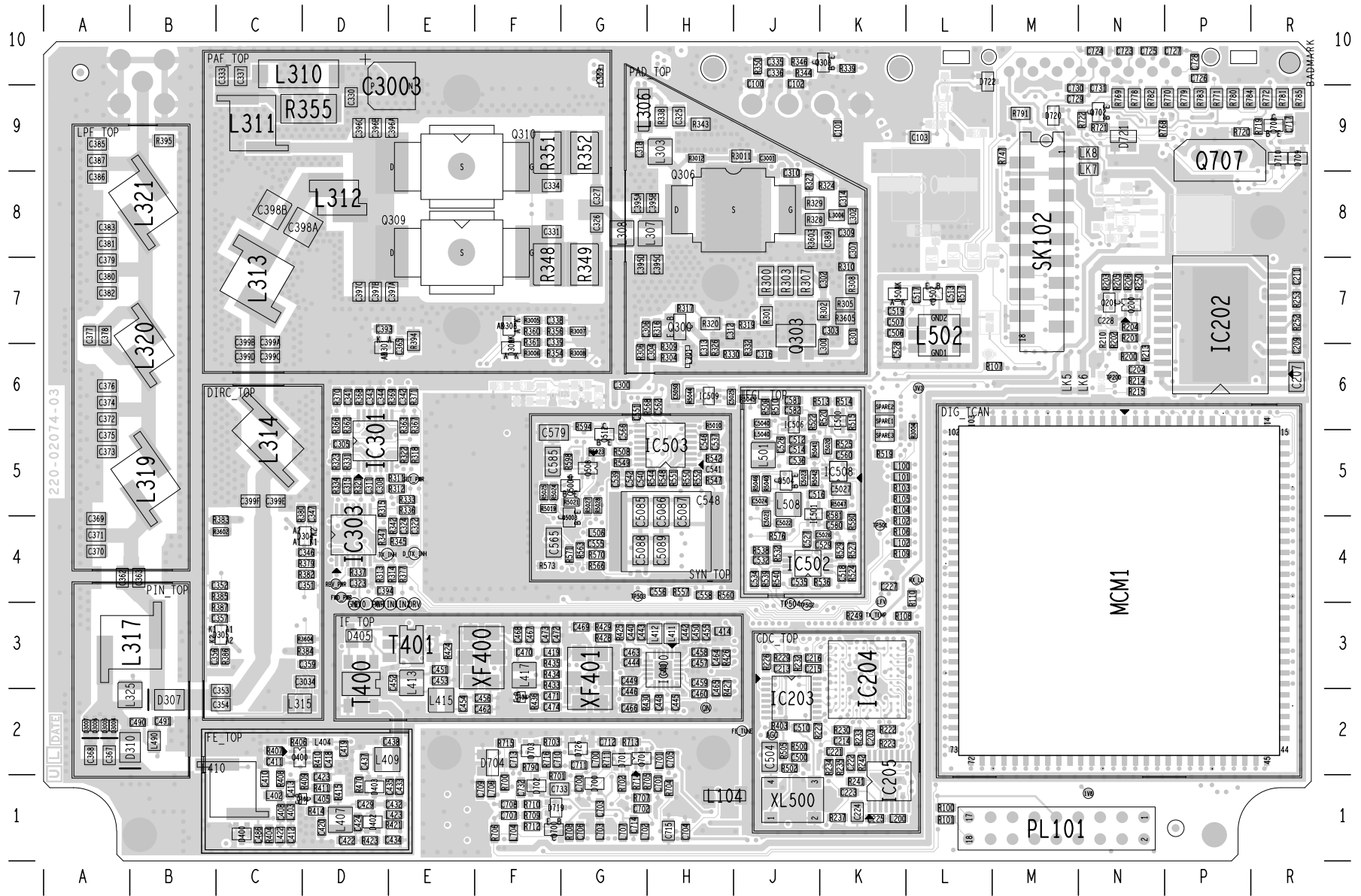
© TAIT ELECTRONICS		A2
TM8000 66-88MHZ POWERSUPPLY		
IPN: 220-02074-03	ISSUE: A	VARIANT NUMBER: ?
FILE DATE: Mon Oct 17 13:01:12 2005		
ENGINEER: TM8000	FILE NAME: 220_02074	SHEET NUMBER: 6 OF 7

REV/ISS	AMENDMENTS	DRAWN	CHKD	D. O.	APVD	DATE
1	2	3	4	5	6	7

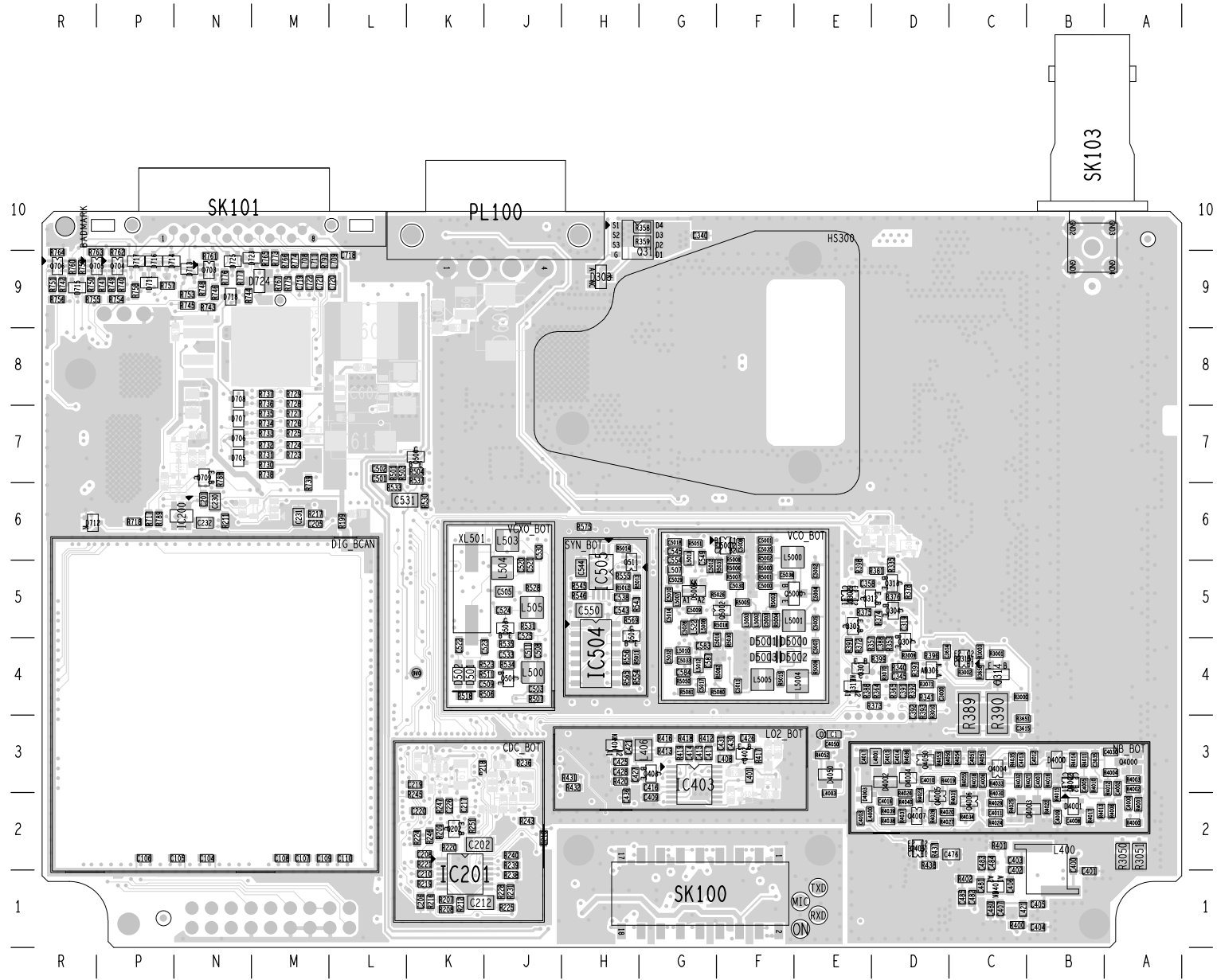


© TAIT ELECTRONICS		A1
TM8000 66-88MHZ INTERFACES		
IPN: 220-02074-03	ISSUE: A	VARIANT NUMBER: ?
FILE DATE: Fri Oct 14 11:21:16 2005		
ENGINEER: TM8000	FILE NAME: 220_02074	SHEET NUMBER: 7 OF 7

REV/ISS	AMENDMENTS	DRAWN	CHKD	D. O.	APVD	DATE
1						
2						
3						
4						
5						
6						
7						
8						
9						
10						
11						
12						
13						
14						



TAIT ELECTRONICS IPN: 220-02074-03 ISS: A DATE: 170ct05 SCALE: NTS
 TM8000 66-88MHZ MAIN BOARD LAYOUT-PRIMARY-SIDE



TAIT ELECTRONICS IPN: 220-02074-03 ISS: A DATE: 170ct05 SCALE: NTS
 TM8000 66-88MHZ MAIN BOARD LAYOUT-SECONDARY-SIDE